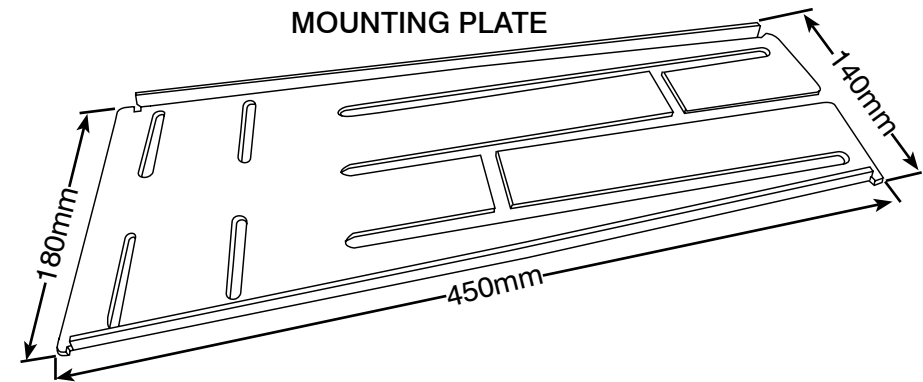
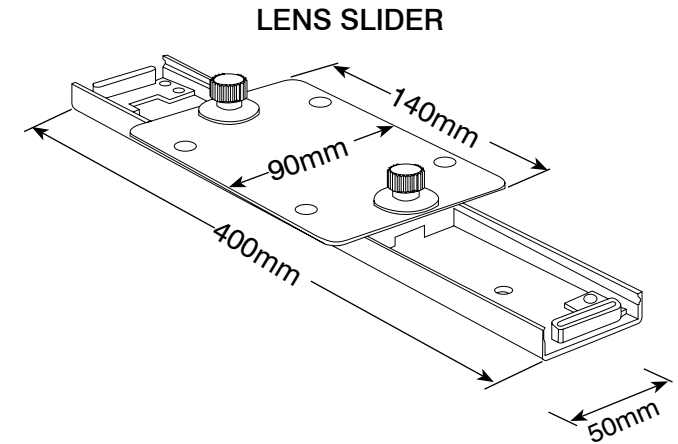
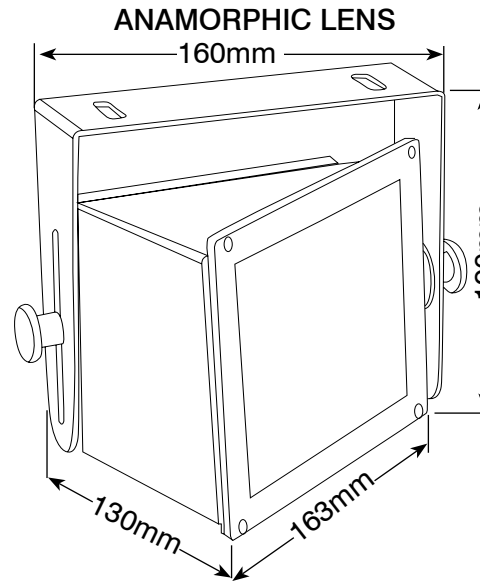


Specifications for LP Morgan Prismatic Anamorphic Lens



Features

- Low-dispersion ground glass lens elements
- Broadband anti-reflective coatings
- CAD designed powder coated metal housing
- Throw ratio compatibility: 1.4 plus
- 94% transmission rate
- 1.33x horizontal expansion factor for Constant Image Height
- Compatible with 2.35:1 up to 2.40:1 aspect ratio screens
- LP Morgan Prismatic Lens features two mounting options, a Fixed for DTC (direct to ceiling) and Mounting Plate for use where a 'drop' has been used for mounting the projector.



Product Code	Colour	Description	Net Weight (kg)	Shipping Size L x W x H (mm)	Shipping Weight (Kg)
LPMA0010	Black	LP Morgan Prismatic Anamorphic Lens	3.0	265 x 270 x 270	4.5
LPMA1010	Black	400mm Slider	0.6	420 x 120 x 80	1.0
LPMA2010	Black	Mounting plate to suit skyhook bracket	0.5	230 x 470 x 100	1.0
LPMA3010	N/A	Astigmatism Correction Lens	N/A	N/A	N/A

MAY 2010 v1.0

Specification are subject to change without notice

Prismatic Anamorphic Lens is designed by Herma Technologies, one of the largest screen manufacturers and wholesalers in Australia

For more information check out www.lpmorgan.com.au or call 1300 730 025